

# Sanimarin® 31

## ELECTRIC RV MACERATING TOILET

Part # 060 (12 V) - Part # 062 (24 V)



### TECHNICAL SPECIFICATIONS

**Voltage/Amperage/Power:**

12V, 25A, 300W / 24V, 15A, 360W

**Discharge:**

10 Ft vertically / 100 Ft horizontally

**Discharge pipe diameter:**

1" or 1-1/2" (built-in check valve)

**Operation running time:**

Eco: 8s / Normal: 15s

**Water consumption:**

Eco: 0.32 gallons

Normal: 0.63 gallons

**Electrical consumption:**

Eco: 12V : 0.056Ah / 24V: 0.032Ah

Normal: 12V: 0.105Ah / 24V: 0.060Ah

**Water use:**

Onboard freshwater  
(integrated solenoid valve).\*

Minimum pressure of supplied water is  
25 PSI (1.7 bar). Recommended pump  
flow rate is 2.9 GPM.

**Weight:**

36.2 Lbs

### FEATURES

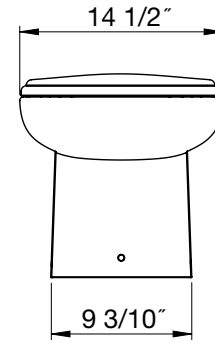
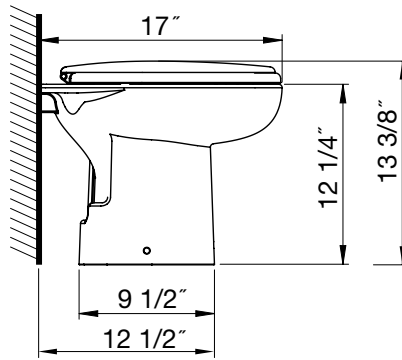
- **Low profile automatic** macerating toilet system.
- Modern and **lightweight design** with contemporary finish and **quiet operation**.
- **Provided with soft-close toilet seat** and mounting hardware.
- **Compact** with small footprint to fit in confined spaces.
- Equipped with powerful **stainless steel macerating blade**.
- Provided with **control panel** with different flushing options.



Saniflo  SFA GROUP

800-363-5874

## DIMENSIONS



## CONTROL SYSTEM



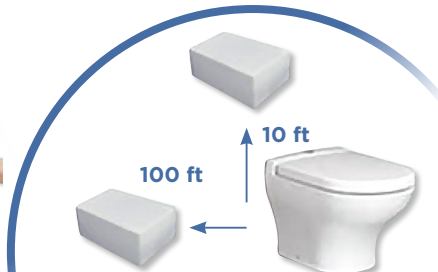
- “Power On” and “Tank Full” indicator lights. (Optional connection to your black water tank gauge).
- Economical flush (0.32 gallons), normal flush (0.63 gallons). Adjustable to up to 0.79 gallons.
- “Empty” button removes water from the bowl. Used for maintenance as well.

## BENEFITS



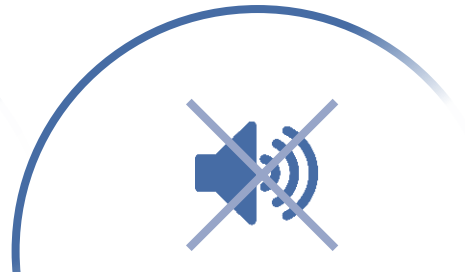
### SIMPLICITY

Installation is very simple as it easily replaces old hand pump toilets.



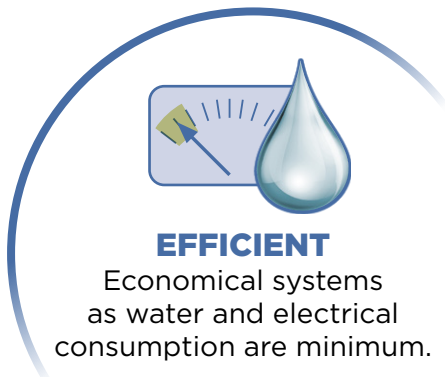
### ENVIRONMENTAL

Eco-friendly pump systems give you flexibility in your installation as the toilet and black water tank can be several feet away.



### SILENT

These systems are the quietest electric toilets on the market.



### EFFICIENT

Economical systems as water and electrical consumption are minimum.



### SOLIDLY BUILT

Excellent macerating system patented more than 60 years ago for worldwide use.